

Oem Earphone Tws Bluetooth 5.0 Headset Tws Wireless Earphones Twins Earbuds 5d
Stereo Headphones Manufacturer

Materials: ABS + Aluminium

Headphone battery capacity: 40 mA

Storage box battery capacity: 650mA

Playing time: 4-5 hours

Recorder box charges: 1.5 hours

Bluetooth version: 5.0

Bluetooth distance: 10-15 meters

Trumpet: \varnothing 14mm * 2

Receiving sensitivity: 110dB \pm 3dB

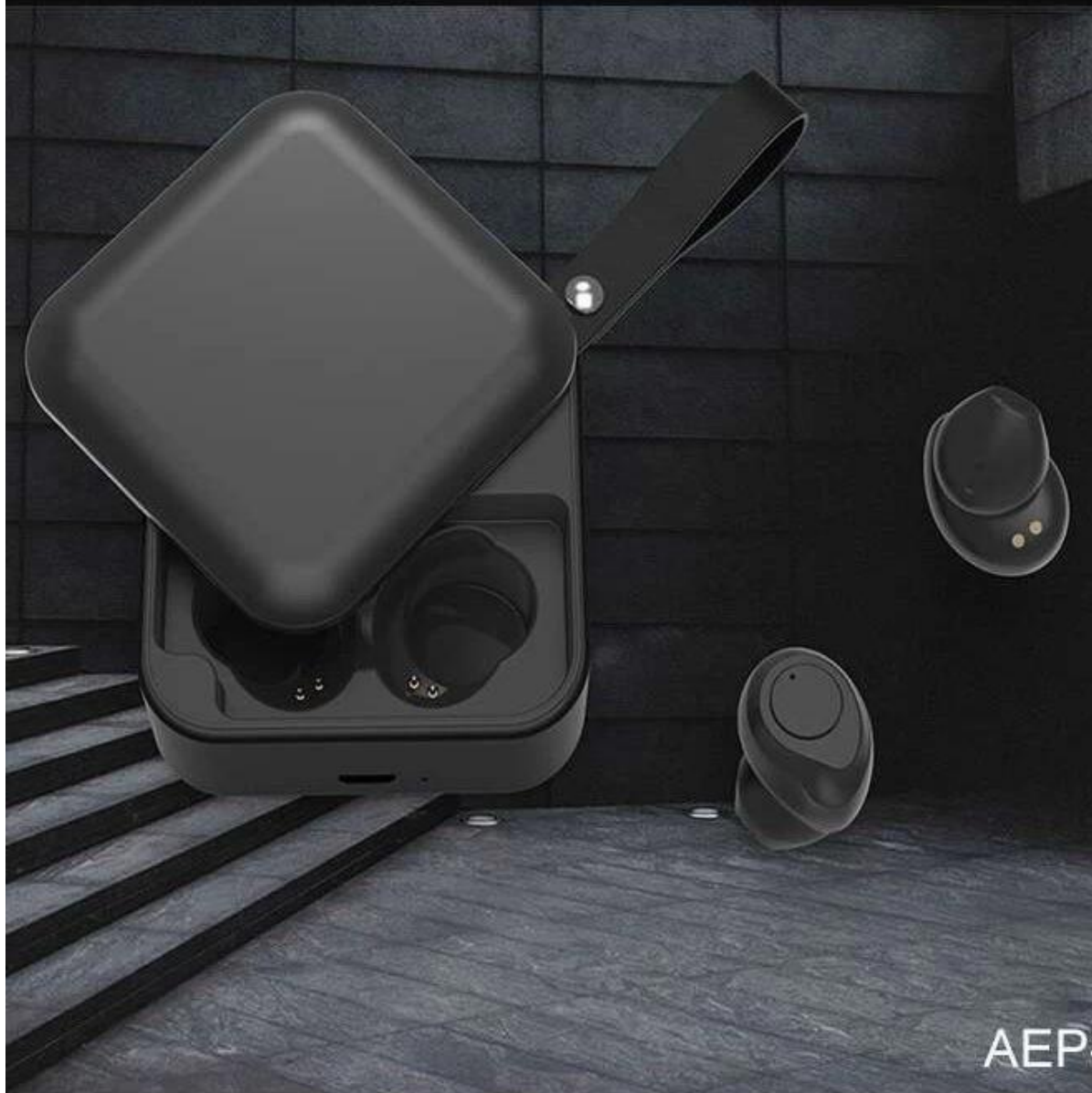
Frequency: 25Hz-18KHz

Box size:63*63mm



www.jaskeyworld.com

TWS Earphone



AEP-0197



In-ear design

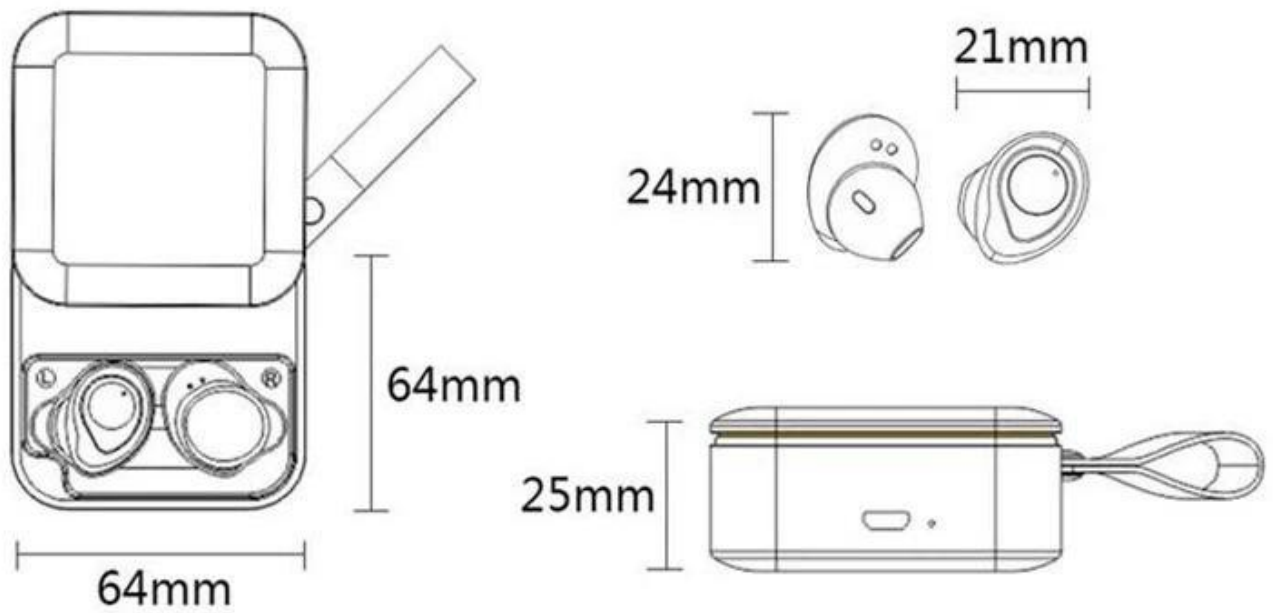
Wear comfortable and
painless

The earplug is designed with a beveled front Angle, which fits the ear canal better. It is comfortable and firm to wear for a long time, and conforms to the ergonomic design

Product introduction



Product size



Bluetooth 5.0

High quality bluetooth 5.0 chip, fast, accurate and stable



has its own charging compartment,
which is convenient for storage and
is not afraid of running out of electricity



Surround sound

—
Multi-function one-button control



Usage scenarios



About Company:

- How long your company deal with electronic business? Are you manufacture ?

Jaskey Limited is a design□development, manufacture company over 12 years experience and we specialize in trendy fashion electronics products with added value to consumer electronic market.

- Which factory audit you did ?

Our manufacture already did factory audit of Sedex 4P, BSCI, ISO9001 with a professional quality control system.

- Which market is your main business market?

Our main business market is Europe, U.S.A, Asia, South America etc.

- Do your company has your own brand or not?

We have our own brand SAWOLOL for our patented design smart audio section.

- Which payment term for your company ?

Normally it is T/T in advance (30% deposit before order confirmation and the balance before shipment) for mass order or LC at sight for big quantity order; For sample order with small amount , it is ok to transfer the payment via PayPal,Western union or Alipay as well.

- What Fair your company will attend each year?

Normally we will attend HKTDC Hong Kong Electronics Fair in both Spring and Autumn Edition and CES Fair etc. , please keep contact with us for our fair updated information via our website or our mail info@jaskeyworld.com , thanks!

About Products:

- Can you do OEM/ODM products?

We have a strong experienced in OEM/ODM customized audio products with R & D team, Product Design Team who can provide 3 new design products quarterly with unique design and high quality function to our business partner.

- Which certificate for your products?

Our products is comply with electronics products testing standard of CE,ROSH, FCC ,BQB etc.

- What is lead time for normal order?

Sample Time: 3-7 working for normal samples.

Mass Order Time: 25-35 days after sample approval for daily orders.

- Which package for the products?

Normally it is our standard gift box and it is OK to do customized package box as per requirements.

- How long time for the product warranty?

The warranty of products is one year from the date of shipping for the goods under normal use excluding batteries and other expendable accessories.

Please contact with us freely for any query via our customer service mail info@jaskeyworld.com , thanks! We will full support you for our long time coming business cooperation, thanks!

This is our hot selling products☐

TWS tai nghe HeP-0174

TWS Earphones AEP-0242

Open-Ear Audio TWS Athletic Headphones HEP-0168