

Custom Speaker Vr Box Virtual Reality Glasses
3d Glasses For Mobile Speaker Manufacturer

Material/lenses: ABS / 42 mm diameter aspherical hd lenses

Apply to mobile phone: 3.5-6 inches

About mobile phone movie resources: split screen

Product size (mm) : 174 * 94 * 120 mm

The biggest mobile phone size: 15.4 cm * 8.2 cm

Perspective: 80-90 degrees

Features: 3 d visual effect (games, audio)

Color: white/black/red can be customized

Weight (N.W/G.W) : 330 g / 520 g

Standard packing: VR glasses/cotton pad/packaging/instruction manual



VR GLASSES

EG0011

Cinema in you pocket



play 3D game



Cinema in yor pocket



Watch 3D Video On Your Phone

www.jaskeyworld.com
LIMITED



360° panoramic scene



Giant Screen Cinemas



3.5 Inch - 6.0 Inch

Phone Size: Length $\geq 163\text{mm}$, Width $\leq 80\text{mm}$
Screen Resolution 1080P or Above

163mm

83mm



Not the same comfort

The middle rope is moved to the phone, bear more weight, after wearing gravity transfer to the top of the head, face and glasses around no sense of oppression.



We

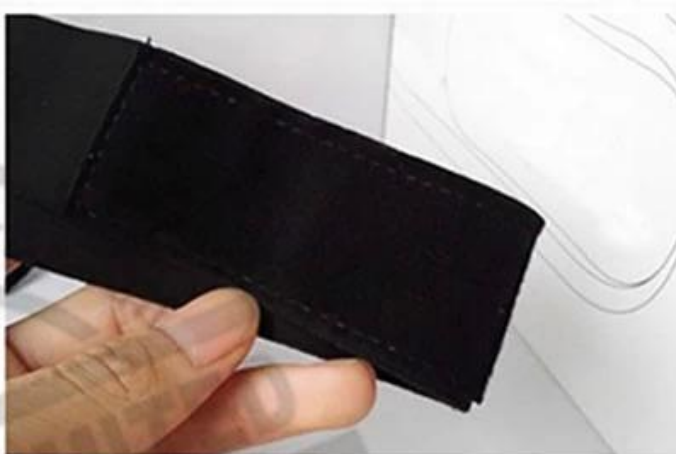


More comfortable

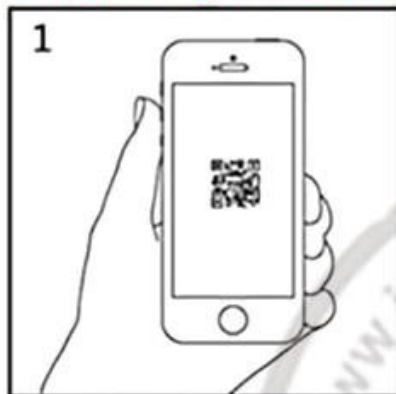
Other



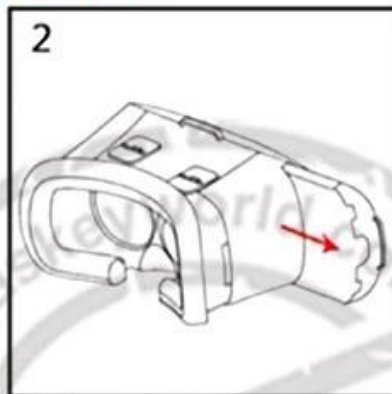
Feeling of oppression



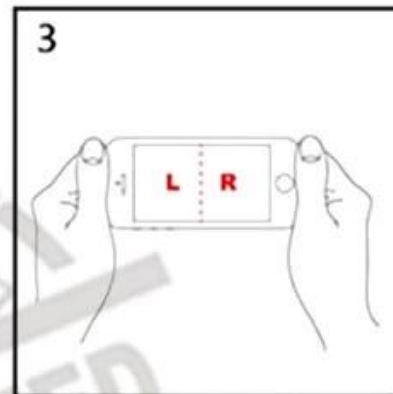
1. Scan The QR Code On The Manual



1 Scan the QR code

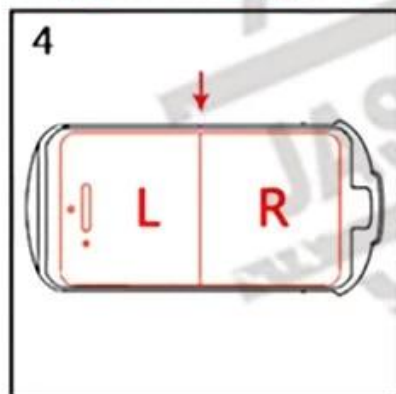


2 Take out the phone holder

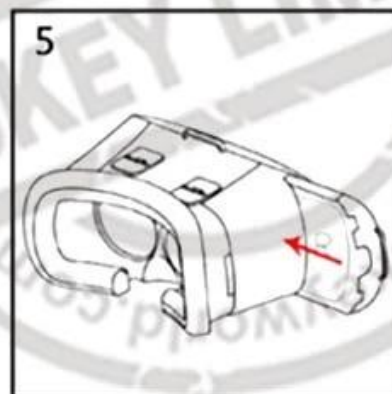


3 Play the VR Resources

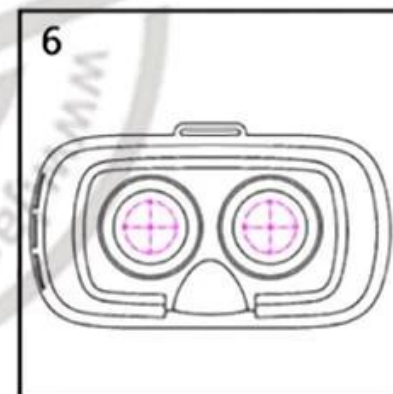
2. Equipment Usage Profile



4 Put the phone in the middle of holder



5 Put The Phone Holder into the VRARLE



6 Adjust Focal length and IPD, Enjoy it!

About Company:

- How long your company deal with electronic business? Are you manufacture ?

Jaskey Limited is a design□development, manufacture company over 12 years experience and we specialize in trendy fashion electronics products with added value to consumer electronic market.

- Which factory audit you did ?

Our manufacture already did factory audit of Sedex 4P, BSCI, ISO9001 with a professional quality control system.

- Which market is your main business market?

Our main business market is Europe, U.S.A, Asia, South America etc.

- Do your company has your own brand or not?

We have our own brand SAWOLOL for our patented design smart audio section.

- Which payment term for your company ?

Normally it is T/T in advance (30% deposit before order confirmation and the balance before shipment) for mass order or LC at sight for big quantity order; For sample order with small amount , it is ok to transfer the payment via PayPal,Western union or Alipay as well.

- What Fair your company will attend each year?

Normally we will attend HKTDC Hong Kong Electronics Fair in both Spring and Autumn Edition and CES Fair etc. , please keep contact with us for our fair updated information via our website or our mail info@jaskeyworld.com , thanks!

About Products:

- Can you do OEM/ODM products?

We have a strong experienced in OEM/ODM customized audio products with R & D team, Product Design Team who can provide 3 new design products quarterly with unique design and high quality function to our business partner.

- Which certificate for your products?

Our products is comply with electronics products testing standard of CE,ROSH, FCC ,BQB etc.

- What is lead time for normal order?

Sample Time: 3-7 working for normal samples.

Mass Order Time: 25-35 days after sample approval for daily orders.

- Which package for the products?

Normally it is our standard gift box and it is OK to do customized package box as per

requirements.

- How long time for the product warranty?

The warranty of products is one year from the date of shipping for the goods under normal use excluding batteries and other expendable accessories.

Please contact with us freely for any query via our customer service mail info@jaskeyworld.com , thanks! We will full support you for our long time coming business cooperation, thanks!

This is our hot selling products[]
Badge Music Player NSP-100