

OEM TWS Bluetooth 5.0 TWS 5D

ABS +

40 Ma

650ma

45

1.5

Bluetooth 5.0

Bluetooth 10 15

$\varnothing 14\text{mm} * 2$

110dB $\pm$ 3dB

25Hz-18kHz

**63\*63mm**



[www.jaskeyworld.com](http://www.jaskeyworld.com)

# TWS Earphone



AEP-0197



## In-ear design

Wear comfortable and  
painless

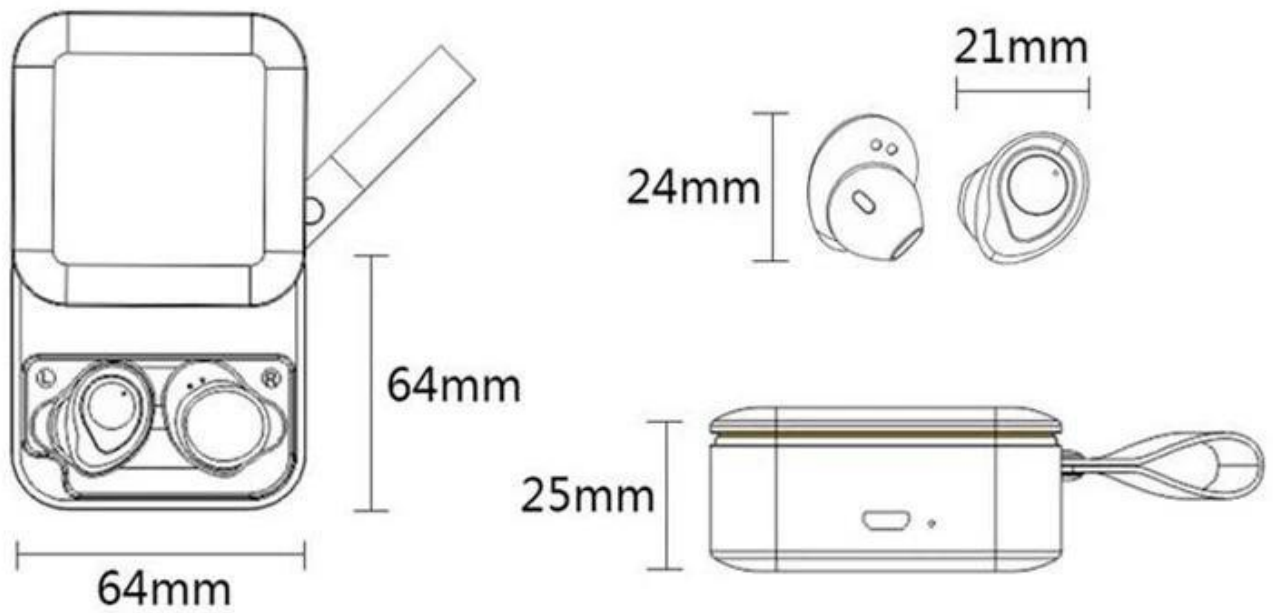
The earplug is designed with a beveled front Angle, which fits the ear canal better. It is comfortable and firm to wear for a long time, and conforms to the ergonomic design

# Product introduction



# Product size

---



# Bluetooth 5.0

High quality bluetooth 5.0 chip, fast, accurate and stable



has its own charging compartment,  
which is convenient for storage and  
is not afraid of running out of electricity



# Surround sound

—  
Multi-function one-button control





# Usage scenarios



## about company

-

Jaskey Limited 12

-

Sedex 4P BSCI ISO9001

-





tws tai nghe hep-0174

TWS AEP-0242

TWS HEP-0168