

OEM TWS 5.0 TWS 5D

- ABS +
- 40 mA
- 650mA
- 4-5
- 1.5
- 5.0
- 10-15
- $\varphi 14\text{mm} * 2$
- 110dB $\pm$ 3dB
- 25Hz-18kHz
- 63\*63mm**



[www.jaskeyworld.com](http://www.jaskeyworld.com)

# TWS Earphone



AEP-0197



## In-ear design

Wear comfortable and  
painless

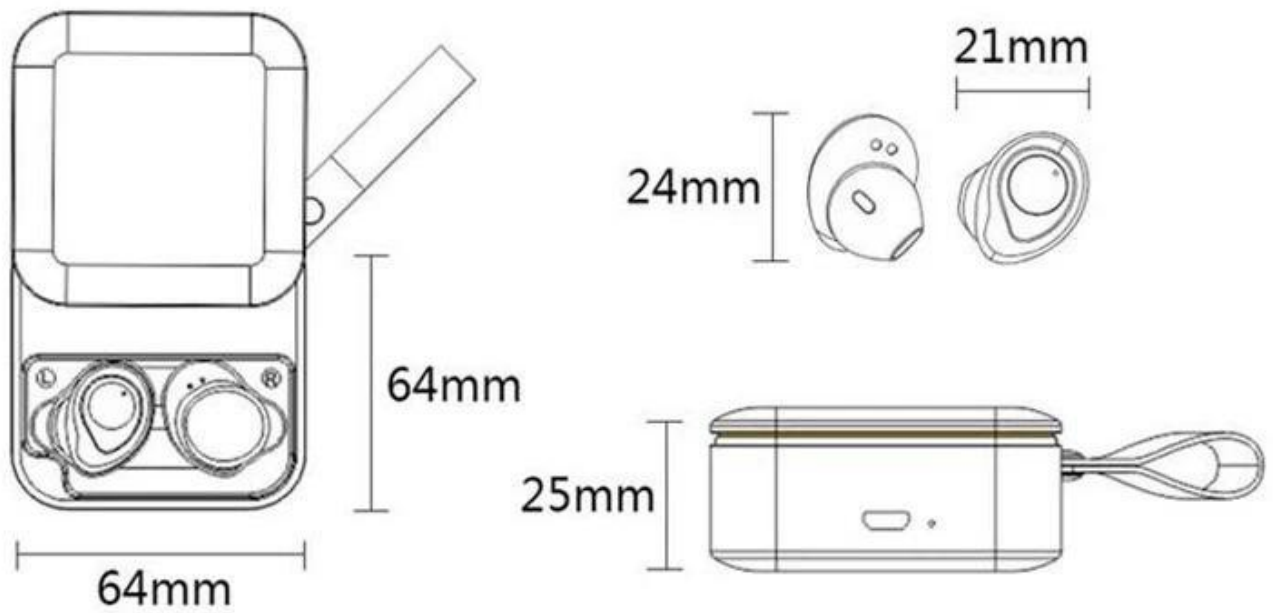
The earplug is designed with a beveled front Angle, which fits the ear canal better. It is comfortable and firm to wear for a long time, and conforms to the ergonomic design

# Product introduction



# Product size

---



# Bluetooth 5.0

High quality bluetooth 5.0 chip, fast, accurate and stable



has its own charging compartment,  
which is convenient for storage and  
is not afraid of running out of electricity



# Surround sound

—  
Multi-function one-button control







- 000000000000

0000000000Sawolol0000000000000000

- 0000000000

000T/T00030000000000000000003000000LC0000000000000000000000PayPalWestern Union  
0Aripay000000

- 00000000000000

000000000000CES000HKTDC Hong Hong Electronics Fair000000000000info@jaskeyworld.com000000  
00000000000000

00000

- 00000**OEM/ODM**00000

000OEM/ODM/ODM0000000000R00D00000000000000000000003000000000000000000000000000

- 000000000000

00000000000000CE00ROSH00FCC00BQB000000000000

- 00000000000000

0000003-7000000000

0000000000000025-350025-3500

- 00000000

000000000000000000000000000000

- 000000000000

0000000000000000000000

000000000000info@jaskeyworld.com00  
00000000000000

000000000000

TWS Tai Nghe HEP-0174

TWS00AEP-0242

□□□□TWS□□□□HEP-0168