

**HEP-6037** 0000000000 000000 00000000 00000000 000000 00000000

00000000 00000000 00000000 000000 0000000000 0000000000 00000000

00000000: HEP-6037

00 / 000000 :000000 000000 FM / TF 00

00000000: ABS

00000000 00000000: CSR2.1

10≥ :00000000m

00 40 :000000

32 :000000000Ω

00 0000 0000 20 - 0000 20 :00000000 00000000

00000000 20 :00000000 00000000 00000000 0000

00000000 113 :0000000000

00 3.5 00000000 00000 :00000

0 1.1 .00000000 :00000000 0000

0000000000 0000



Bluetooth Headpho



### Product Functions

- 1.The support of 98% of the market with a Bluetooth-enabled mobile phone, computer, tablet, etc., to support music playback, answer and call functions.
- 2.TF Card player
- 3.Built-in Stereo FM radio Even Without Micro SD Card.(According to the signal.28 channels can be stored maximumly.
- 4.Line in function:Connect the audio cable to LINE IN connector,you can enjoy music from other devices use this Micro SD Wireless Headset.





## 3D Stereo Sound

Exclusively Designed Advanced Circuit Technology

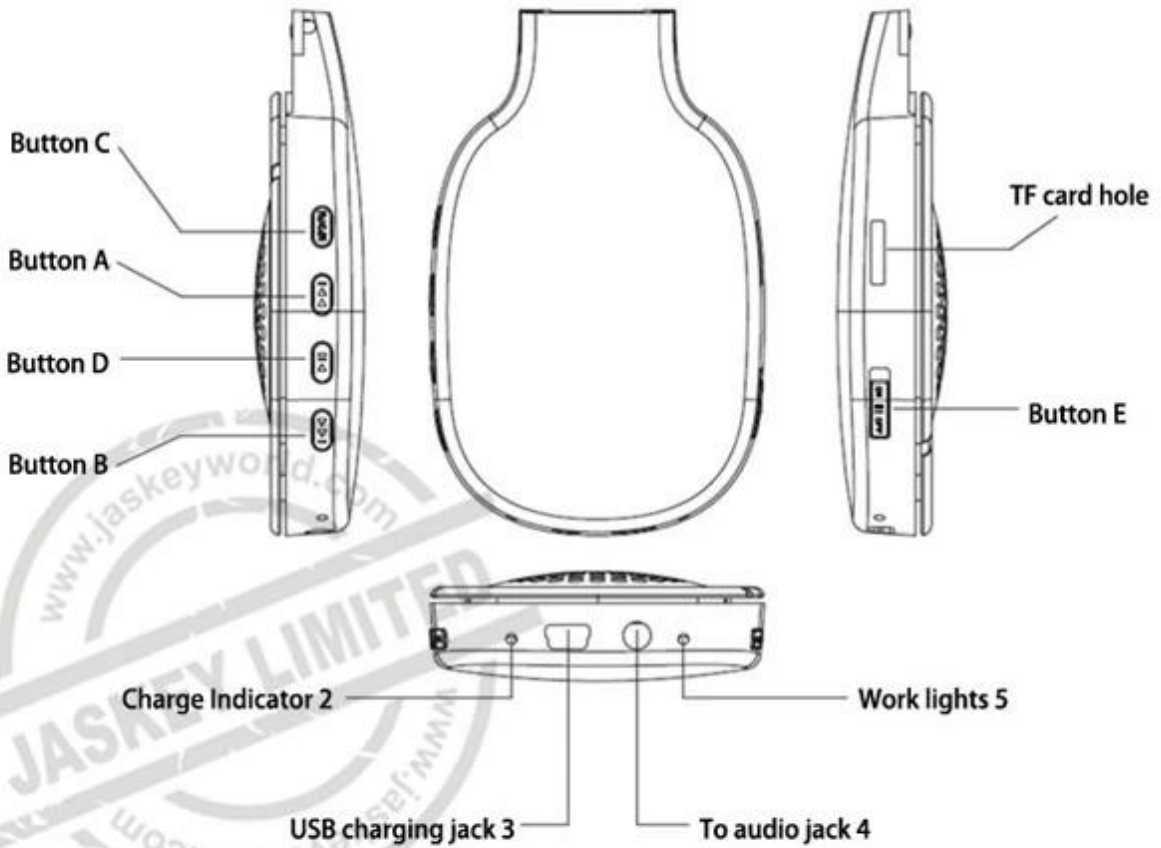
Sensitive FM

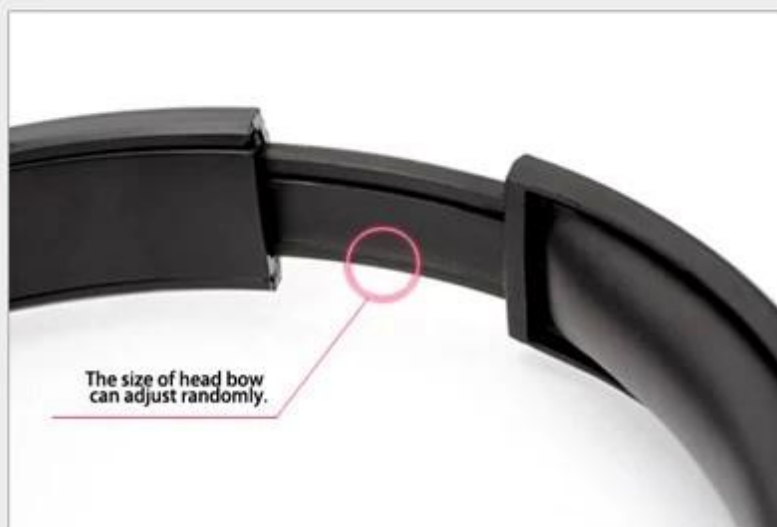
High Fidelity Sound Quality

British original CSR high-performance and low power  
consumption Bluetooth chip



Self-developed designs, Pirates inevitable investigated





The size of head bow  
can adjust randomly.



Collapsible design is  
more portable and convenient  
for carrying



## Rotatable design

rotating 120° up and down, no matter you lie, stand up, sleep, crouch, it can be very closely associated with each other(watch movies, TV, listen to music, and play games).



## Automatic FM radio function

When you need radio pattern, you can realize it by pressing pause key for a short time.

FM automatic search channels.



### Support the biggest music player of 32GBTF card

Under the circumstance of no need for phones,  
a single earphone can play music, pause, change songs up and down, and adjust volume, etc. after plugging TF card.



### Enthusiast Composite Film Loudspeakers

Collocating 2\*  $\Phi$ 40mm Ferro-Neodymium magnetic Hi-Fi composite membrane typhon, 6U+Washer+ Black cloth, high magnetic energy magnet driver units, bass of speaker can improve 60% after combing with exclusive high seal and tune trope optimization design. Left and right channels are balanced. Improving 20% can make bass more dynamic. Therefore, it can embody sweet high pitch, beautiful alto voice and deep bass. Sense of scene in range can express incisively and vividly!





## Key design

According to daily habits, keys are designed on the same side of right ear. Furthermore, scientific and reasonable proportion interval makes you operate conveniently and freely!



## Break-point memory play

Support break-point memory to play the current song.

It is just the last song after starting up next time



### Standard configuration

Standard configuration: earphone + charge cable + specification( If you need other accessories, please contact with sales assistant. Such as charger and label cable, etc.)



#### About

>

->

>

>

->

>

->

>

-□□□□□□□□□□ □□□□ □□>

>

-□□□□□□□□□□ □□□□ □□>